

EP PFA-Lined Manual and Pneumatic Valves

Enable high volume delivery of high-purity chemicals

We offer a complete line of EP PFA-lined stainless-steel valves capable of distributing high volumes of high-purity chemical. They are ideal in high-flow chemical distribution systems and corrosive chemical handling applications.



EP PFA-lined manual and pneumatic valves

CLEAN FLOW PATH

Our lined valves have a weir-style valve body design that streamlines the flow path and eliminates dead volume. This streamlined design, combined with high-purity, chemically resistant PFA and PTFE construction, keeps the flow path clean and free from contaminants.

SYSTEM DESIGN FLEXIBILITY

Each valve is forward and backward compatible – meaning there is not a wrong way to install the inlet and outlet ports.

We offer EP PFA-lined valves in 2-way configurations with either manual or pneumatic actuation and ½" to 2" port connections. This broad product offering provides system flexibility and easy installation into any fluid handling system, saving customers valuable time and money.

APPLICATIONS

- TFT/LCD corrosive chemical handling
- High flow chemical distribution systems

FEATURES & BENEFITS

Weir-style valve body design	Streamlines the flow path and eliminates dead volume, keeping the flow path free from contaminants
High-purity PFA lining and durable, stainless steel housing	Enables the valve to withstand high pressure applications
All wetted PFA and PTFE surfaces	Provides high-purity, chemical resistance in harsh chemical environments
Optional electronic position sensing	Enables easy valve position verification from a remote location, increasing safety.

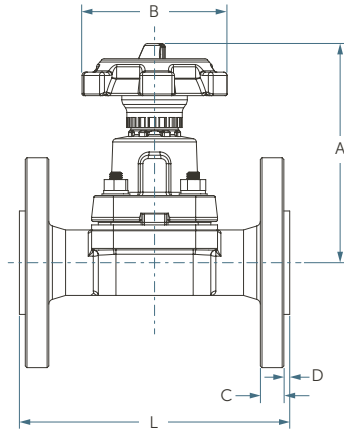
SPECIFICATIONS

Materials	All wetted parts	PFA, PTFE
	Nonwetted parts	EPDM, Viton®, Stainless steel 304, PP
Pressure range	689.5 kPa (100 psig) @ 21°C (70°F) fluid temperature 441 kPa (64 psig) @ 90°C (194°F) fluid temperature	
Temperature range	21°C to 90°C (70°F to 194°F)	
Pneumatic supply port (pneumatic version only)	1/8" PT	
Pneumatic supply pressure	414 kPa (60 psig) minimum to 586 kPa (85 psig) maximum	

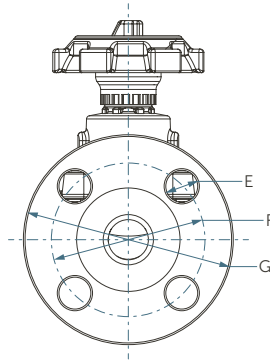
DIMENSIONS

EP PFA-lined Manual Valve

Front View



Side View



Port size	Flow factor	Dimensions							
		A	B	C	D	E	F	G	L

JIS 10 KG Flange

15A (½")	7 C _v	113.6 mm (4.47")	85 mm (3.35")	12.5 mm (0.49")	3.5 mm (0.138")	16 mm (0.63")	70 mm (2.76")	95 mm (3.74")	150 mm (5.95")
20A (¾")	7 C _v	113.6 mm (4.47")	85 mm (3.35")	14 mm (0.55")	3.5 mm (0.138")	16 mm (0.63")	75 mm (2.95")	100 mm (3.94")	150 mm (5.95")
25A (1")	10 C _v	130.5 mm (5.14")	90 mm (3.55")	14 mm (0.55")	3.5 mm (0.138")	19 mm (0.75")	90 mm (3.55")	125 mm (4.93")	160 mm (6.34")
40A (1½")	26 C _v	185.8 mm (7.31")	136 mm (5.35")	16 mm (0.63")	3.5 mm (0.138")	19 mm (0.75")	105 mm (4.13")	140 mm (5.5")	200 mm (7.9")
50A (2")	43 C _v	218.9 mm (8.61")	136 mm (5.35")	18 mm (0.7")	3.5 mm (0.138")	19 mm (0.75")	120 mm (4.72")	155 mm (6.1")	230 mm (9.1")

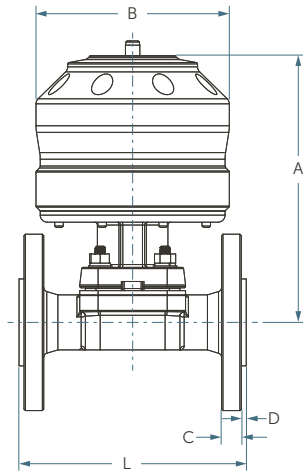
ANSI 150# Flange

20A (¾")	7 C _v	113.6 mm (4.47")	85 mm (3.35")	14 mm (0.55")	3.5 mm (0.138")	16 mm (0.63")	70 mm (2.76")	98 mm (3.86")	150 mm (5.95")
25A (1")	10 C _v	130.5 mm (5.14")	90 mm (3.55")	14 mm (0.55")	3.5 mm (0.138")	19 mm (0.75")	79.4 mm (3.13")	108 mm (4.25")	160 mm (6.34")
40A (1½")	26 C _v	185.8 mm (7.31")	136 mm (5.35")	16 mm (0.63")	3.5 mm (0.138")	19 mm (0.75")	98.4 mm (3.9")	127 mm (5.0")	200 mm (7.9")
50A (2")	43 C _v	218.9 mm (8.61")	136 mm (5.35")	18 mm (0.7")	3.5 mm (0.138")	19 mm (0.75")	120 mm (4.72")	155 mm (6.1")	230 mm (9.1")

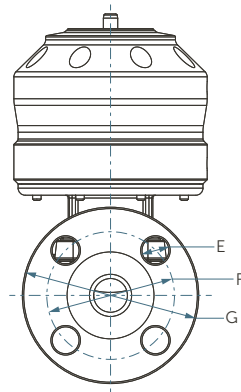
DIMENSIONS

EP PFA-lined Pneumatic Valve

Front View



Side View



Port size	Flow factor	Dimensions							
		A	B	C	D	E	F	G	L

JIS 10 KG Flange

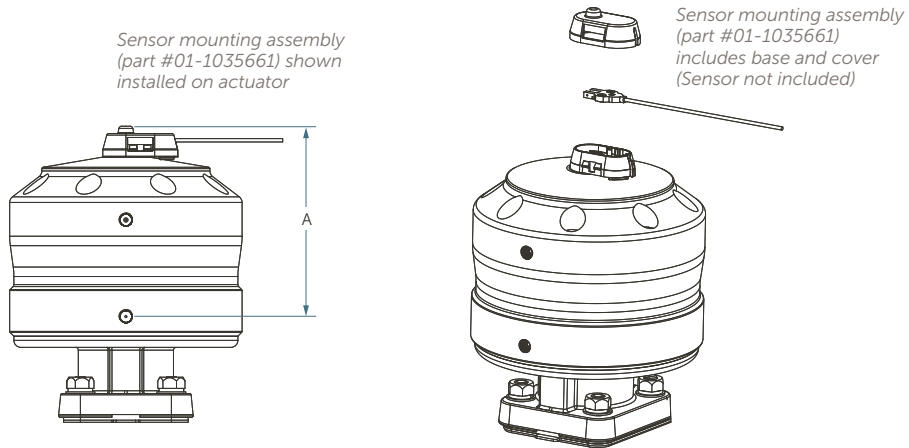
15A (½")	7 C _v	165 mm (6.5")	126 mm (4.96")	12.5 mm (0.49")	3.5 mm (0.138")	16 mm (0.63")	70 mm (2.76")	95 mm (3.74")	150 mm (5.95")
20A (¾")	7 C _v	165 mm (6.5")	126 mm (4.96")	14 mm (0.55")	3.5 mm (0.138")	16 mm (0.63")	75 mm (2.95")	100 mm (3.94")	150 mm (5.95")
25A (1")	10 C _v	189 mm (7.5")	137 mm (5.4")	14 mm (0.55")	3.5 mm (0.138")	19 mm (0.75")	90 mm (3.55")	125 mm (4.93")	160 mm (6.34")
40A (1½")	26 C _v	222 mm (8.74")	166 mm (6.54")	16 mm (0.63")	3.5 mm (0.138")	19 mm (0.75")	105 mm (4.13")	140 mm (5.5")	200 mm (7.9")
50A (2")	43 C _v	270 mm (10.63")	187 mm (7.4")	18 mm (0.7")	3.5 mm (0.138")	19 mm (0.75")	120 mm (4.72")	155 mm (6.1")	230 mm (9.1")

ANSI 150# Flange

20A (¾")	7 C _v	165 mm (6.5")	126 mm (4.96")	14 mm (0.55")	3.5 mm (0.138")	16 mm (0.63")	70 mm (2.76")	98 mm (3.86")	150 mm (5.95")
25A (1")	10 C _v	189 mm (7.5")	137 mm (5.4")	14 mm (0.55")	3.5 mm (0.138")	19 mm (0.75")	79.4 mm (3.13")	108 mm (4.25")	160 mm (6.34")
40A (1½")	26 C _v	222 mm (8.74")	166 mm (6.54")	16 mm (0.63")	3.5 mm (0.138")	19 mm (0.75")	98.4 mm (3.9")	127 mm (5.0")	200 mm (7.9")
50A (2")	43 C _v	270 mm (10.63")	187 mm (7.4")	18 mm (0.7")	3.5 mm (0.138")	19 mm (0.75")	120 mm (4.72")	155 mm (6.1")	230 mm (9.1")

Optional Remote Electronic Position Indication

Side View



Omron® position sensor part number (EE-SX770R or EE-SX770A), which is sold separately.

Port size	A
15A (1/2")	109.5 mm (4.3")
20A (3/4")	109.5 mm (4.3")
25A (1")	121 mm (4.76")
40A (1 1/2")	136 mm (5.35")
50A (2")	169 mm (6.65")

ORDERING INFORMATION

EP PFA-lined Manual and Pneumatic Valves: part number

PLLD



Actuation

MV = Manual
PV = Pneumatic normally closed
PVO = Pneumatic normally open

Port size

08 = 15A (1/2")
12 = 20A (3/4")
16 = 25A (1")
24 = 40A (1 1/2")
32 = 50A (2")

Flange

J = JIS 10KG
A = ANSI 150#

Surface finish

EP = Electropolished
EPSH = Electropolished, stainless steel handle**
P-ISH = Paint, ivory, stainless steel handle**
P-I = Paint, ivory
P-W = Paint, white
P-WSH = Paint, white, stainless steel handle**

Bonnet bolt (optional)

() = Blank, stainless steel bolt
C = PTFE coating bolt
T = Titanium bolt
OM = Omron position sensor*

*Available with PV pneumatic, normally closed actuation only. Requires Entegris' remote position indication sensor mounting assembly, 01-1035661, and the Omron position sensor (EE-SX770R or EE-SX770A), which is sold separately.

**Available only with MV manual actuation.

FOR MORE INFORMATION

Please call your Regional Customer Service Center today to learn what Entegris can do for you. Visit entegris.com and select the [Contact Us](#) link to find the customer service center nearest you.

TERMS AND CONDITIONS OF SALE

All purchases are subject to Entegris' Terms and Conditions of Sale. To view and print this information, visit entegris.com and select the [Terms & Conditions](#) link in the footer.



Corporate Headquarters

129 Concord Road
Billerica, MA 01821
USA

Customer Service

Tel +1 952 556 4181
Fax +1 952 556 8022
Toll Free 800 394 4083

Entegris®, the Entegris Rings Design®, and other product names are trademarks of Entegris, Inc. as listed on entegris.com/trademarks. All third-party product names, logos, and company names are trademarks or registered trademarks of their respective owners. Use of them does not imply any affiliation, sponsorship, or endorsement by the trademark owner.

©2020-2021 Entegris, Inc. | All rights reserved. | Printed in the USA | 3273-11400ENT-0421