



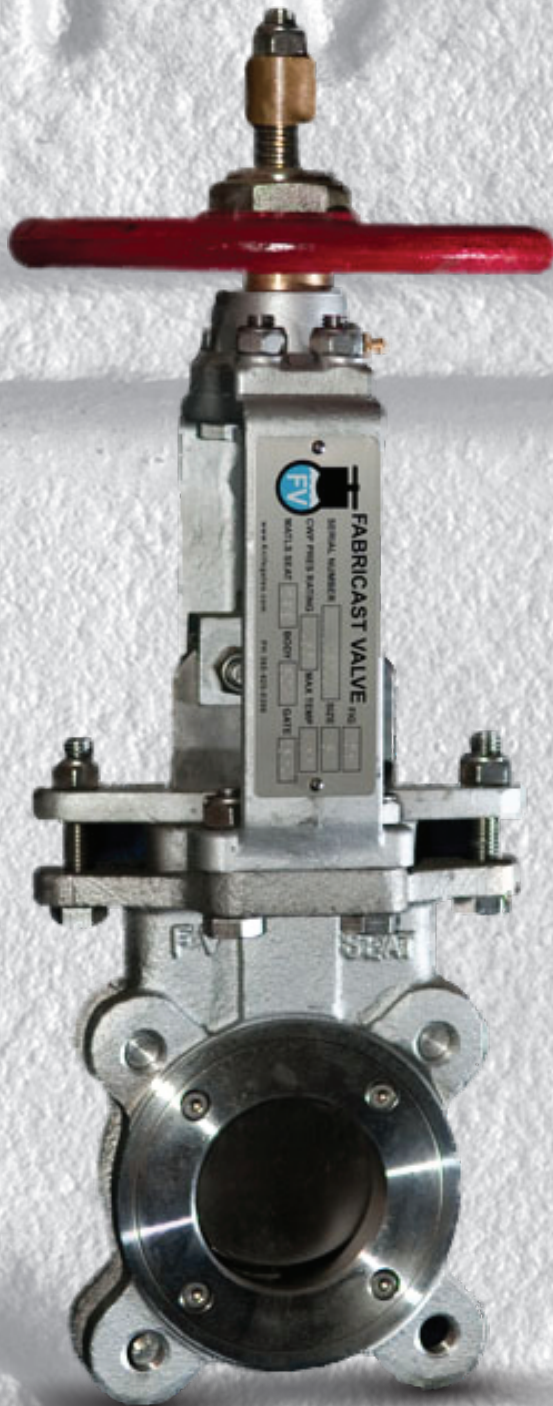
Fabricast Valve Company
 1061 Industrial Way, Longview, WA 98632
Toll-Free 1-877-264-2503
Local (360) 425-0306 Fax (360) 425-0353
 www.knifegates.com
 sales@fabricastvalve.com



FIG 61

FIG 61

Fabricast Valve



The Fabricast FIG 61 is a unique high performance knife gate valve design utilizing dual replaceable polymer seals. Designed and tested to MSS SP81 and ASME B16.5 specifications.

Features

- Dual Polymer seals (Teflon is Standard) fitted on 316 Stainless Steel retaining rings along with robust o-rings (EPDM Is Standard 300 Deg F.) that provides resiliency and seal loading. The o-rings also seal the machined retainer ring cavity in the valve body to eliminate external leakage. Seals, o-rings and retainer rings are easily replaced either in the shop or in the field.
- Full Port
- Bi-directional Drip Tight Shutoff.
- 150 Psi CWP Rating.
- Heavy Duty Cast CF8M 316 Stainless Steel Body and Packing Gland.
- Valve body, retaining rings, stem and Polymer seals are precision CNC machined.
- ASTM A240 316 Stainless Steel gate fully machined and surface ground to provide a smooth sealing surface for the seals. All edges are chamfered to extend packing life and provide a superior packing seal.
- Heavy Duty Cast CF8 304 Stainless Steel Yoke, Stemnut Retainer and Stem Clevis.
- 14" and larger valves are provided with a ball bearing yoke bushing to reduce handwheel rimpull.
- Braided Teflon Synthetic Packing is Standard 3-11 Ph Rating.
- Cast WCB Steel Handwheel (weldable).
- Easily adapted to Pneumatic Cylinder, Hydraulic Cylinder, Spring Cylinder, 3:1 and 4:1 Bevel Gear, Lever And Electric Motor Operator (no welding required).

Note: not for deadend service unless a ring or blind flange is used

Options

- Alloys - 317L, Duplex 2205, 2507, 904L, Other - Contact Factory
- Polymer Seals - HDPE, UHMWPE, Polyurethane - Contact Factory
- Retaining Rings - Abrasion Resistant Hardened Stainless Steel
- Mechanical Lockouts - Manual And Actuated Valves
- OSHA Gate Guard
- Pneumatic, Hydraulic And Spring Cylinder, Electric Motor, 3:1 or 4:1 Manual Bevel Gear, Lever, Chainwheel, Stem Extension
- Packing - Ptfе, Graphite, Kevlar, Food Grade
- Purge / Flushing Ports
- Live Loaded Packing System
- Limit/proximity Switches, Solenoid Valves, Air Sets, Speed Controls, Exhaust Mufflers, Positioners, Air Tank Failsafe System, Air Booster
- V-port Or Engineered Shape Inserts For Flow Control
- Inlet Deflector Cone
- Ni-resist Alloy Stemnut
- Specialty Gate Coatings • Bonneted Design

Previous Model FV-150-DP

Optional Operators see www.knifegates.com for details



Cylinder



Bevel Gear



Electric Motor



Chain Wheel

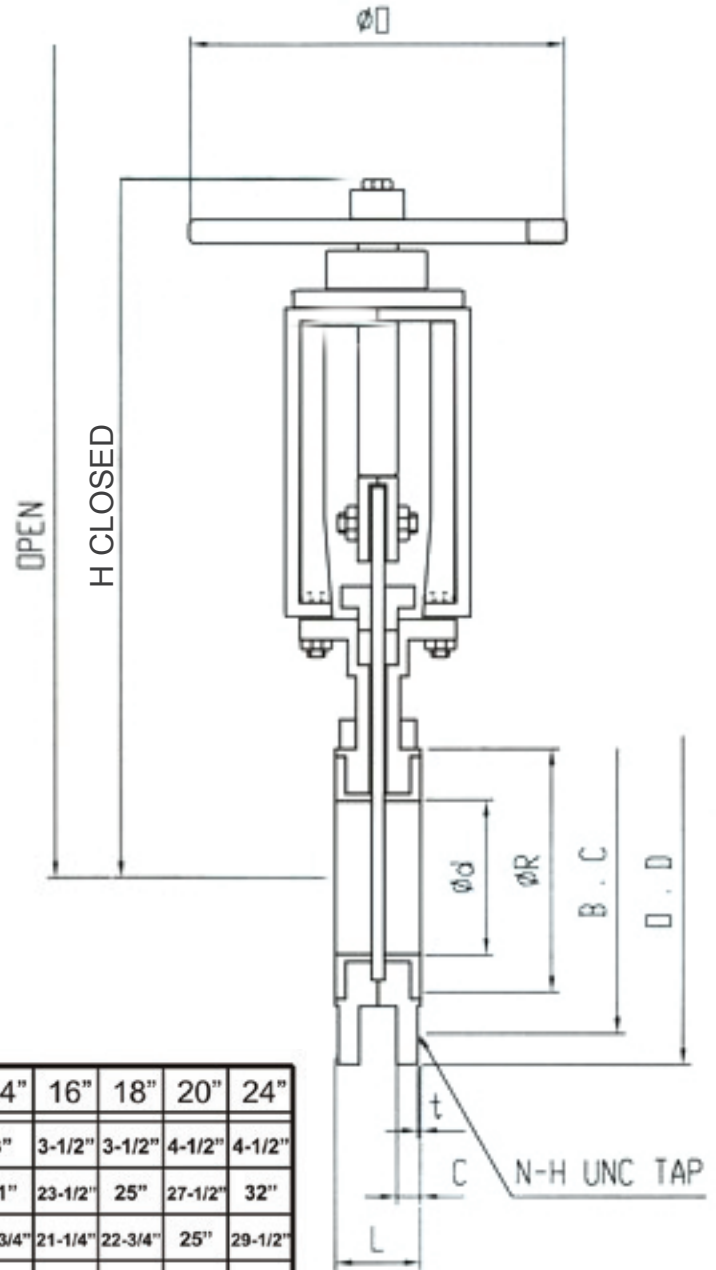
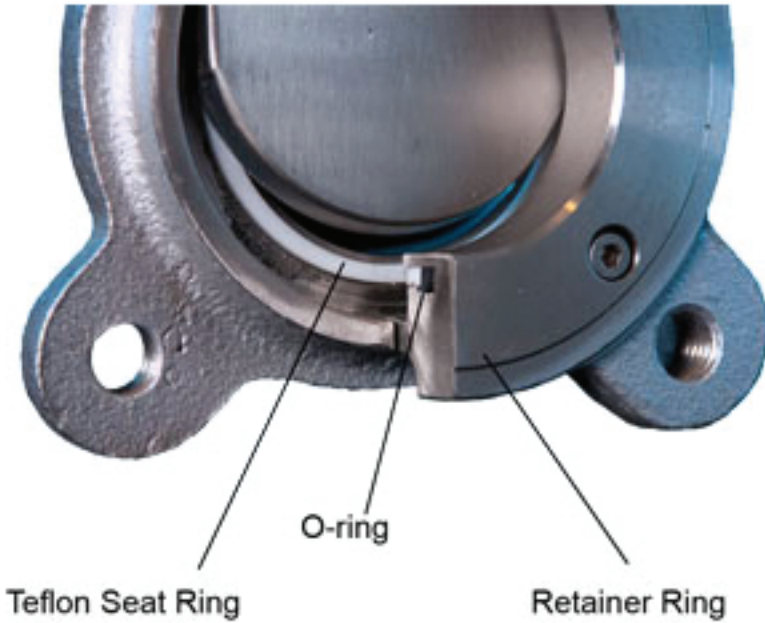


Lever



Fabricast Valve Company
 1061 Industrial Way, Longview, WA 98632
Toll-Free 1-877-264-2503
Local (360) 425-0306 **Fax** (360) 425-0353
 www.knifegates.com
 sales@fabricastvalve.com

FIG 61



61 - 4 CF8
61 - 6 CF8M
61 - 7 CG8M

Size		2"	3"	4"	6"	8"	10"	12"	14"	16"	18"	20"	24"
Face to Face	F-F	1-7/8"	2"	2"	2-1/4"	2-3/4"	2-3/4"	3"	3"	3-1/2"	3-1/2"	4-1/2"	4-1/2"
Flange OD	OD	6"	7-1/2"	9"	11"	13-1/2"	16"	19"	21"	23-1/2"	25"	27-1/2"	32"
Bolt Circle	BC	4-3/4"	6"	7-1/2"	9-1/2"	11-3/4"	14-1/4"	17"	18-3/4"	21-1/4"	22-3/4"	25"	29-1/2"
Inside Diameter	ID	1-7/8"	2-7/8"	3-3/4"	5-3/4"	7-1/2"	9-1/2"	11-3/8"	13-1/4"	15-1/4"	17-1/4"	19-1/4"	23-1/4"
Number of Holes	N	4	4	8	8	8	12	12	12	16	16	20	20
Hole D&T Size	D	5/8"-11	5/8"-11	5/8"-11	3/4"-10	3/4"-10	7/8"-9	7/8"-9	1"-8	1"-8	1-1/8"-7	1-1/8"-7	1-1/4"-7
C'L to Top Closed	H-Closed	13-5/8"	16"	17-3/4"	21-5/8"	26-3/4"	32-1/8"	36-3/8"	42"	46-3/4"	52-3/8"	56"	62-7/8"
C/L to Top Open	H-OPEN	16"	19-3/4"	21-5/8"	27-3/4"	34-3/4"	42-3/4"	48-5/8"	55-1/4"	63-1/8"	70-1/2"	75-5/8"	85-5/8"
Handwheel Dia.	H/W	8"	8"	8"	12"	12"	15"	15"	15"	20"	20"	20"	30"
Raised Face Diameter	RF	3-5/8"	5"	6-3/16"	8-1/2"	10-5/8"	12-3/4"	15"	16-1/4"	18-1/2"	21"	23"	27-1/4"
Weight (lbs.)		20	29	38	52	85	120	160	212	300	350	480	600



Fabricast Valve Company
1061 Industrial Way, Longview, WA 98632
Toll-Free 1-877-264-2503
Local (360) 425-0306 **Fax** (360) 425-0353
www.knifegates.com
sales@fabricastvalve.com

Fabricast Valve

FIGURE 61-DP PTFE SEATED KNIFE GATE VALVE

The Fabricast Valve FIG. 61-DP is a PTFE seated Knife gate valve featuring a cast stainless steel body, packing gland, gate, and yoke.

The heavy-duty cast body resists deflection from line loads and internal pressure. It is tested to withstand up to 150 PSI of pressure as required by MSS SP-81 and ASME B16.5 Class 150 specifications.

We offer seating options such as an o-ring resilient insert, or hard-face surfacing to prevent galling from high cycle, high end pressure, and abrasive applications. Also standard is a precision machined stainless steel gate designed to withstand pressures up to 150 PSI.

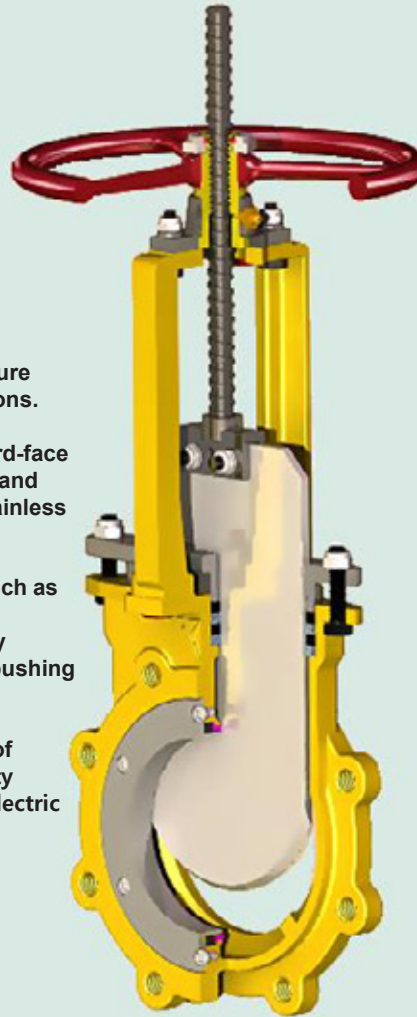
It's beveled design provides shut-off capability in thick media such as pulp stock, slurries, and solids such as pellets or powders. The stainless steel stem resists corrosion, and is accompanied by a stainless steel stem nut retainer that protects the brass stem bushing from harsh environments, and reduces operating torque.

Our Teflon Synthetic Packing is rated standard with a Ph range of 3-11, and temperature rating up to 500. Converting the heavy-duty yoke from the handwheel operator to cylinder, bevel gear, or electric motor is easy and requires no welding.

Available in T304, T316, T317 Stainless Steel.

Flanges match ANSI 150LB, PN10, TABLE "D", JIS 10 Standard with all tapped holes.

PREVIOUS MODEL NAME WAS FV 150-DP.



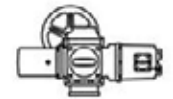
Optional Operators



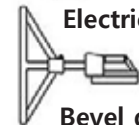
Cylinder



Lever



Electric



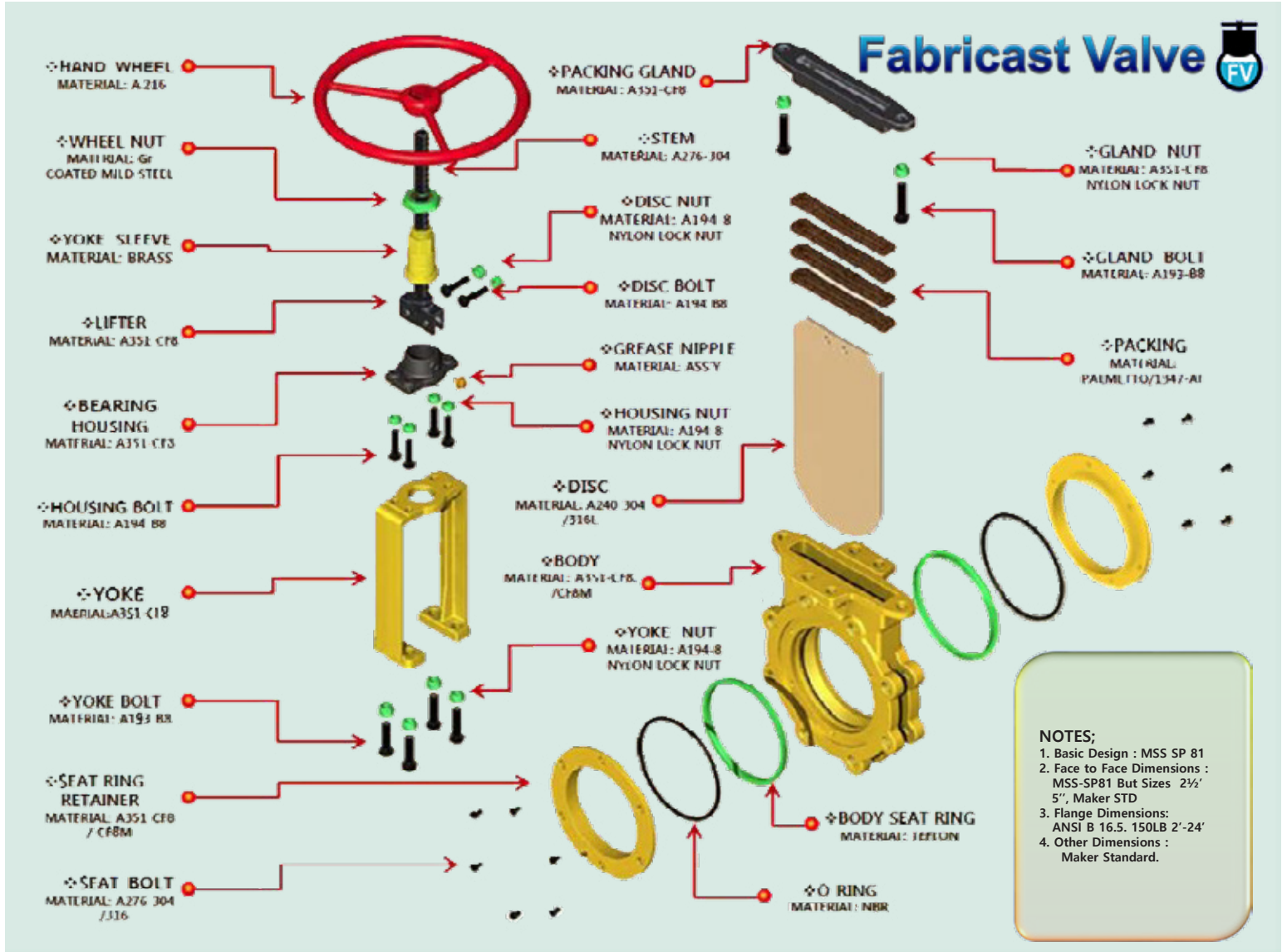
Bevel gear



Chain Wheel

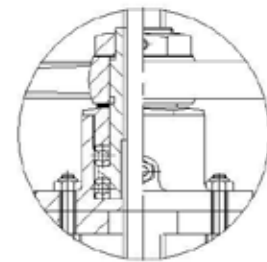
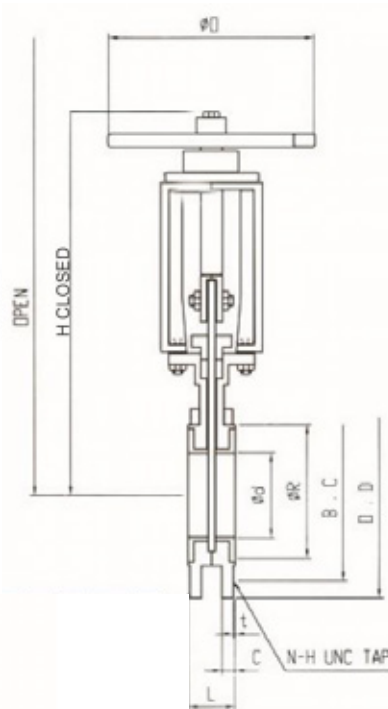
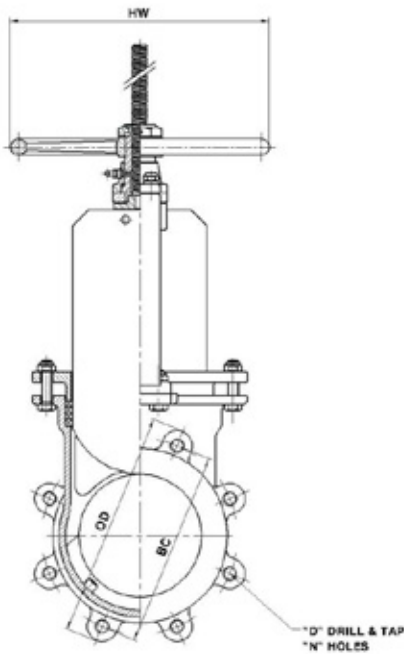


Fabricast Valve Company
 1061 Industrial Way, Longview, WA 98632
Toll-Free 1-877-264-2503
Local (360) 425-0306 **Fax** (360) 425-0353
 www.knifegates.com
 sales@fabricastvalve.com





Fabricast Valve Company
 1061 Industrial Way, Longview, WA 98632
Toll-Free 1-877-264-2503
Local (360) 425-0306 Fax (360) 425-0353
 www.knifegates.com
 sales@fabricastvalve.com



For sizes 14" and larger

Size		2"	3"	4"	6"	8"	10"	12"	14"	16"	18"	20"	24"
Face to Face	F-F	1-7/8"	2"	2"	2-1/4"	2-3/4"	2-3/4"	3"	3"	3-1/2"	3-1/2"	4-1/2"	4-1/2"
Flange OD	OD	6"	7-1/2"	9"	11"	13-1/2"	16"	19"	21"	23-1/2"	25"	27-1/2"	32"
Bolt Circle	BC	4-3/4"	6"	7-1/2"	9-1/2"	11-3/4"	14-1/4"	17"	18-3/4"	21-1/4"	22-3/4"	25"	29-1/2"
Inside Diameter	ID	1-7/8"	2-7/8"	3-3/4"	5-3/4"	7-1/2"	9-1/2"	11-3/8"					
Number of Holes	N	4	4	8	8	8	12	12	12	16	16	20	20
Hole D&T Size	D	5/8"-11	5/8"-11	5/8"-11	3/4"-10	3/4"-10	7/8"-9	7/8"-9	1"-8	1"-8	1-1/8"-7	1-1/8"-7	1-1/4"-7
C/L to Top Closed	H-Closed	13-5/8"	16"	17-3/4"	21-5/8"	26-3/4"	32-1/8"	36-3/8"	42"	46-3/4"	52-3/8"	56"	62-7/8"
C/L to Top Open	H-OPEN	16"	19-3/4"	21-5/8"	27-3/4"	34-3/4"	42-3/4"	48-5/8"	55-1/4"	63-1/8"	70-1/2"	75-5/8"	85-5/8"
Handwheel Dia.	H/W	8"	8"	8"	12"	12"	15"	15"	15"	20"	20"	20"	30"
Raised Face Diameter	RF	3-5/8"	5"	6-3/16"	8-1/2"	10-5/8"	12-3/4"	15"	16-1/4"	18-1/2"	21"	23"	27-1/4"
Weight (lbs.)		20	29	38	52	85	120	160	212	300	350	480	600