



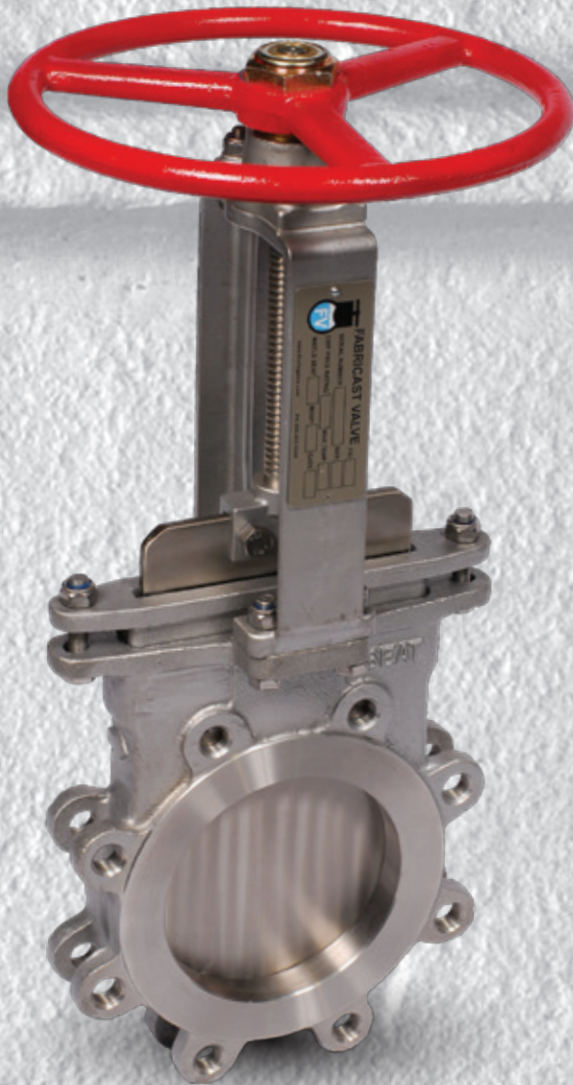
Fabricast Valve Company
1061 Industrial Way, Longview, WA 98632
Toll-Free 1-877-264-2503
Local (360) 425-0306 **Fax** (360) 425-0353
www.knifegates.com
sales@fabricastvalve.com



FIG 40

FIG 40

Fabricast Valve



The Fabricast FIG 40 is a metal seated, uni-directional knife gate valve. Designed and tested to MSS SP81 and ASME B16.5 specifications.

Features

- Heavy Duty Cast CF8 304, CF8M T316 or CG8M T317 body and packing gland. Cast CF8 T304 yoke, stemnut retainer and gate clevis.
- Full Port.
- 150 Psi Cwp Rated.
- Precision Cnc Machined Valve Body And Stem.
- ASTM A 240 304, 316, and 317 Stainless Steel gate fully machined, beveled and surface ground. All edges are chamfered to extend packing life and to provide a superior atmospheric seal.
- 14" and larger valves are supplied with a ball bearing yoke bushing to reduce handwheel rimpull.
- Braided Teflon Synthetic Packing is standard 3-11 PH rating, 500°F.
- Cast WCB Steel handwheel (weldable)
- Easily adapted to Air Cylinder, Hydraulic Cylinder, Bevel Gear, Lever or Electric Motor Operator (no welding required).

Options

- O-ring Seat - Buna N 200 Deg F, Epdm 300 Deg F, Hdpe/uhmwpe 200 Deg F, Fkm/viton - 400 Deg F. Other - Contact Factory
- Other Alloys - 310, 316, 317I, Duplex 2205, 2507,904I, Hastelloy, Titanium Other - Contact Factory
- Mechanical Lockouts - Manual And Actuated Valves
- Osha Gate Guard
- Pneumatic, Hydraulic And Spring Cylinder, Electric Motor Operator, 3:1 And 4:1 Bevel Gear Operator, Chainwheel, Stem Extensions, Lever Operator
- Packings - Ptfе, Graphite, Kevlar, Food Grade, Other - Contact Factory
- Purge / Flushing Ports
- Limit / Proximity Switches, Solenoid Valves, Positioners, Air Sets, Speed Controls, Exhaust Mufflers, Air Tank Failsafe Systems, Air Boosters
- V Port Inserts For Flow Control
- Deflector Cones For Abrasive Service
- Ni-resist Alloy Stemnut
- Live Loaded Packing System
- Specialty Gate Coatings
- Hardsurfacing For Abrasive Service
- Backing Ring For Reverse Flow Or Horizontal Valve Orientation
- High Pressure
- High Temperature

Previous Model FV-150-MM

Optional Operators see www.knifegates.com for details



Cylinder



Bevel Gear



Electric Motor



Chain Wheel

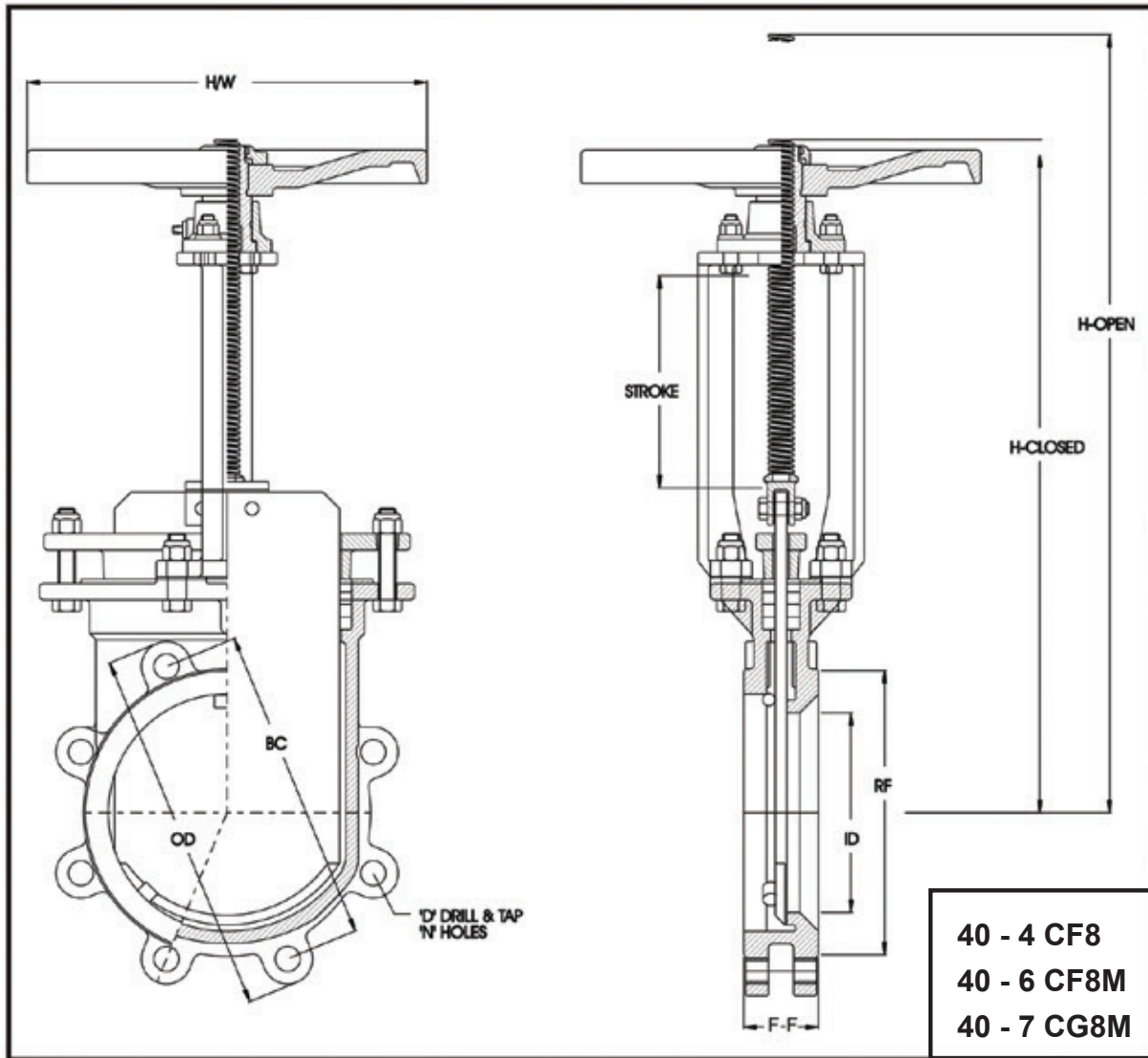


Lever



Fabricast Valve Company
 1061 Industrial Way, Longview, WA 98632
Toll-Free 1-877-264-2503
Local (360) 425-0306 Fax (360) 425-0353
 www.knifegates.com
 sales@fabricastvalve.com

FIG 40



40 - 4 CF8
40 - 6 CF8M
40 - 7 CG8M

Size		2"	3"	4"	6"	8"	10"	12"	14"	16"	18"	20"	24"	30"	36"
Face to Face	F-F	1 ⁷ / ₈ "	2"	2"	2- ¹ / ₄ "	2- ³ / ₄ "	2- ³ / ₄ "	3"	3"	3- ¹ / ₂ "	3- ¹ / ₂ "	4- ¹ / ₂ "	4- ¹ / ₂ "	5 ³ / ₈ "	6"
Flange OD	OD	6"	7- ¹ / ₂ "	9"	11"	13- ¹ / ₂ "	16"	19"	21"	23- ¹ / ₂ "	25"	27- ¹ / ₂ "	32"	38- ³ / ₄ "	46"
Bolt Circle	BC	4- ³ / ₄	6"	7- ¹ / ₂ "	9- ¹ / ₂ "	11- ³ / ₄ "	14- ¹ / ₄ "	17"	18- ³ / ₄ "	21- ¹ / ₄ "	22- ³ / ₄ "	25"	29- ¹ / ₂ "	36"	42- ³ / ₄ "
Inside Diameter	ID	2"	3"	4"	6"	8"	10"	12"	13- ⁵ / ₈ "	15- ¹ / ₂ "	17- ¹ / ₂ "	19- ¹ / ₂ "	23- ³ / ₈ "	29- ¹ / ₄ "	35 ³ / ₈ "
Number of Holes	N	4	4	8	8	8	12	12	12	16	16	20	20	28	32
Hole D&T Size	D	5 ⁸ / ₁₆ "-11	5 ⁸ / ₁₆ "-11	5 ⁸ / ₁₆ "-11	3 ⁴ / ₁₆ "-10	3 ⁴ / ₁₆ "-10	7 ⁸ / ₁₆ "-9	7 ⁸ / ₁₆ "-9	1"-8	1"-8	1- ¹ / ₈ "-7	1- ¹ / ₈ "-7	1- ¹ / ₄ "-7	1- ¹ / ₄ "-7	1 ¹ / ₂ "-6
C'L to Top Closed	H-Closed	13- ⁵ / ₈ "	16"	17- ³ / ₄ "	21- ⁵ / ₈ "	26- ³ / ₄ "	32- ¹ / ₈ "	36- ³ / ₈ "	42"	46- ³ / ₄ "	52- ³ / ₈ "	49- ³ / ₄ "	55- ¹ / ₈ "	80"	111- ³ / ₈ "
C/L to Top Open	H-OPEN	16"	19- ³ / ₄ "	21- ⁵ / ₈ "	27- ³ / ₄ "	34- ³ / ₄ "	42- ³ / ₄ "	48- ⁵ / ₈ "	55- ¹ / ₄ "	63- ¹ / ₈ "	70- ¹ / ₂ "	69- ³ / ₄ "	79- ⁷ / ₈ "	114- ¹ / ₄ "	145- ³ / ₄ "
Handwheel Dia.	H/W	8"	8"	8"	12"	12"	15"	15"	15"	20"	20"	20"	30"	18"	18"
Raised Face Diameter	RF	3- ⁵ / ₈ "	5"	6- ³ / ₈ "	8- ¹ / ₂ "	10- ⁵ / ₈ "	12- ³ / ₄ "	15"	16- ¹ / ₄ "	18- ¹ / ₂ "	21"	23"	27- ¹ / ₄ "	33 ³ / ₄ "	40 ¹ / ₄ "
Weight (lbs.)		20	29	38	52	85	120	160	212	300	350	480	600	1136	2205

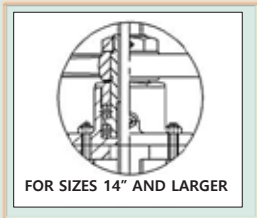
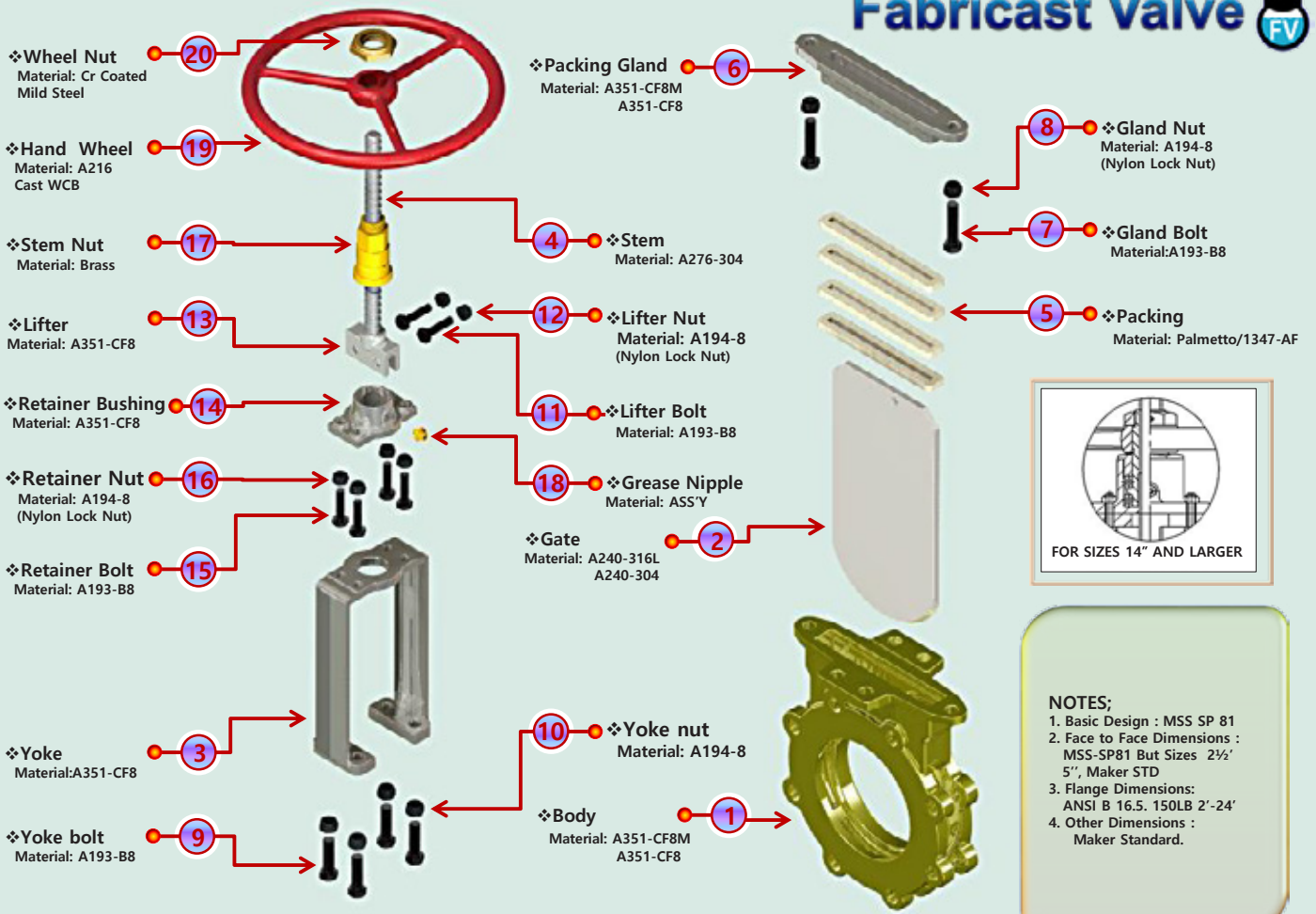
Note: 30" and 36" cast valves with gear operator

Fabricast Valve
 Knife Gate Valves & Custom Fabrication / phone (360) 425-0306, fax (360) 425-0353



Fabricast Valve Company
 1061 Industrial Way, Longview, WA 98632
Toll-Free 1-877-264-2503
Local (360) 425-0306 Fax (360) 425-0353
 www.knifegates.com
 sales@fabricastvalve.com

Fabricast Valve

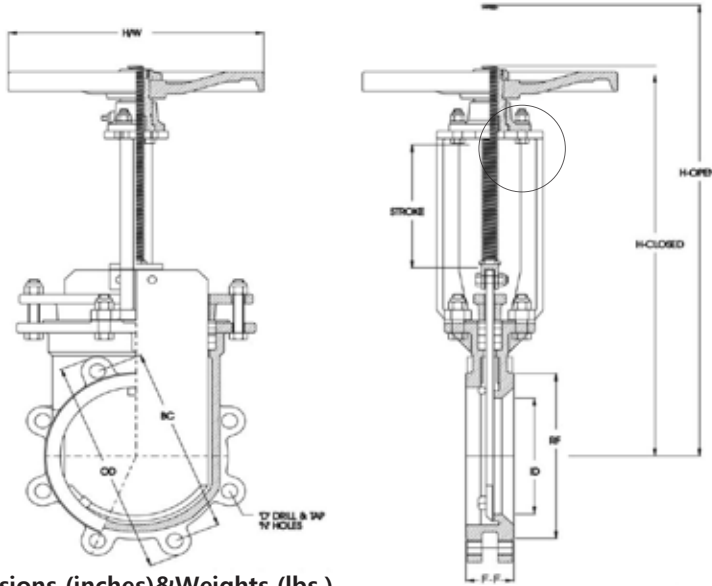


NOTES;

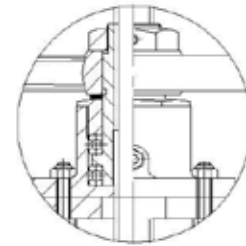
1. Basic Design : MSS SP 81
2. Face to Face Dimensions : MSS-SP81 But Sizes 2½' 5", Maker STD
3. Flange Dimensions: ANSI B 16.5, 150LB 2'-24'
4. Other Dimensions : Maker Standard.



Fabricast Valve Company
 1061 Industrial Way, Longview, WA 98632
Toll-Free 1-877-264-2503
Local (360) 425-0306 Fax (360) 425-0353
 www.knifegates.com
 sales@fabricastvalve.com



Fabricast Valve 



FOR SIZES 14" AND LARGER

30" & 36" COME
 STANDARD WITH
 GEAR OPERATOR

Dimensions (inches)&Weights (lbs.)

Size		2"	3"	4"	6"	8"	10"	12"	14"	16"	18"	20"	24"	30"	36"
Face to Face	F-F	1-7/8"	2"	2"	2-1/4"	2-3/4"	2-3/4"	3"	3"	3-1/2"	3-1/2"	4-1/2"	4-1/2"	5-3/16"	6"
Flange	OD	6"	7-1/2"	9"	11"	13-1/2"	16"	19"	21"	23-1/2"	25"	27-1/2"	32"	38-3/4"	46"
Bolt Circle	BC	4-3/4"	6"	7-1/2"	11-3/4"	9-1/2"	14-1/4"	17"	18-3/4"	21-1/4"	22-3/4"	25"	29-1/2"	36"	42-3/4"
Inside Diameter	ID	2"	3"	4"	6"	8"	10"	12"	13-5/8"	15-1/2"	17-1/2"	19-1/2"	23-3/8"	29-1/4"	35-3/16"
Number of Holes	N	4	4	8	8	8	12	12	12	16	16	20	20	28	32
Tap	D	5/8"-11	5/8"-11	5/8"-11	3/4"-10	3/4"-10	7/8"-9	1"-8	1"-8	1"-8	1-1/8"-7	1-1/8"-7	1-1/4"-7	1-1/4"-7	1-1/2"-6
C/L to Top Closed	H-C	13-5/8"	16"	17-3/4"	21-5/8"	26-3/4"	32-1/8"	36-3/8"	42"	46-3/4"	52-3/8"	76-1/4"	91-1/4"	80"	111-3/8"
C/L to Top Open	H-O	16"	19-3/4"	21-5/8"	27-3/4"	34-3/4"	42-3/4"	48-5/8"	55-1/4"	63-1/8"	70-1/2"	96-3/4"	116"	114-1/4"	145-3/4"
Handwheel Dia	H/W	8"	8"	8"	12"	12"	15"	15"	15"	20"	20"	20"	30"	18"	18"
Raised Face Dia	RF	3-5/8"	5"	6-3/16"	8-1/2"	10-5/8"	12-3/4"	15"	16-1/4"	18-1/2"	21"	23"	27-1/4"	33-3/4"	40-1/4"
Weight (lbs)		20	29	38	52	85	120	160	212	300	350	480	600	1136	2205